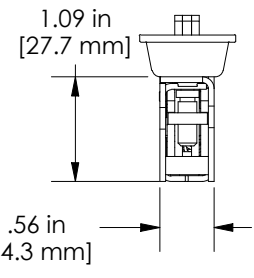
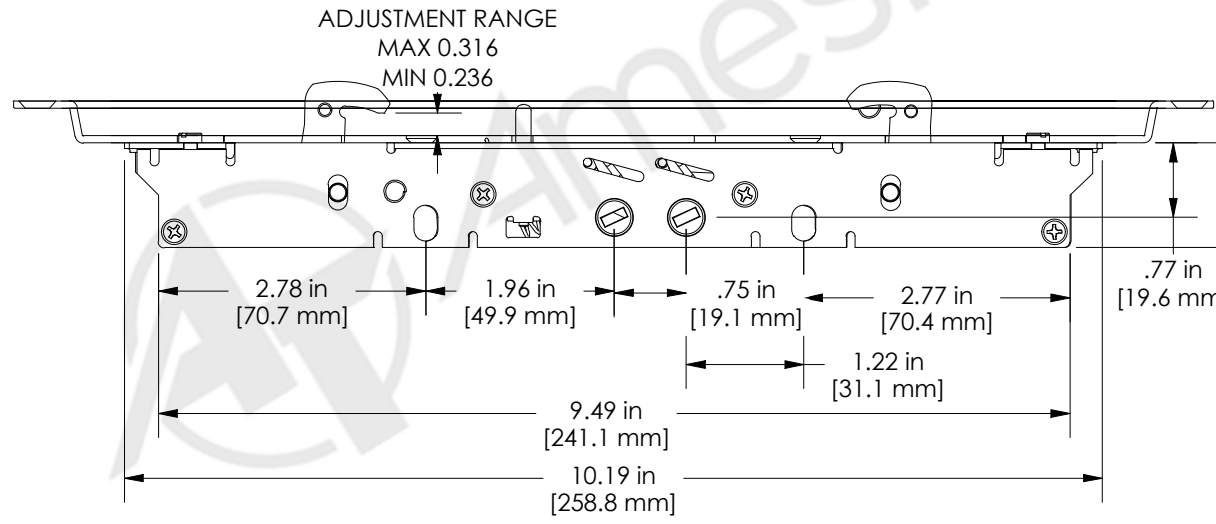
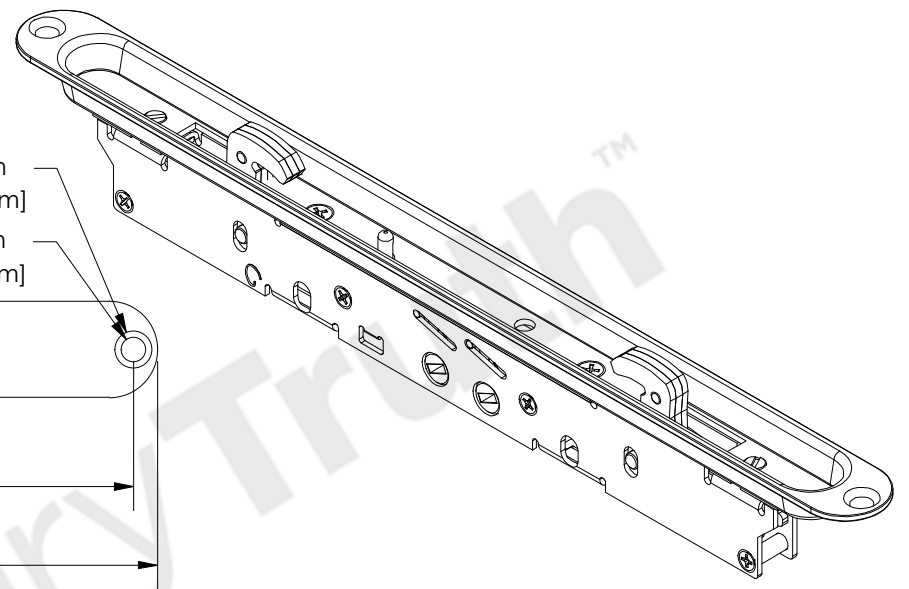


\varnothing .38 in
 [Ø9.8 mm]
 \varnothing .25 in
 [Ø6.4 mm]



CUSTOMER PAGE



THE INFORMATION CONTAINED IN THIS
 DRAWING IS CONFIDENTIAL AND PROPRIETARY.
 THIS DRAWING IS NOT TO BE COPIED OR
 REPRODUCED IN WHOLE OR IN PART WITHOUT
 EXPRESS WRITTEN PERMISSION.

INTERPRET PER:
 ASME Y14.5M-2009
 UNITS: INCH
 THIRD ANGLE
 PROJECTION

DRAWING TITLE: GEMINI II W/ 2507 TRIMPLATE	
SCALE: 1 / 2	SHEET 1 OF 1
PART #:	2818